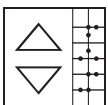
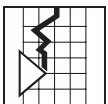
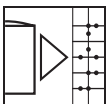


Immersion holder for conductivity measuring sensors DipFit P CLA 140

**Immersion holder with flange connection for
processes with exacting requirements,
with bayonet-type measuring sensor holder**



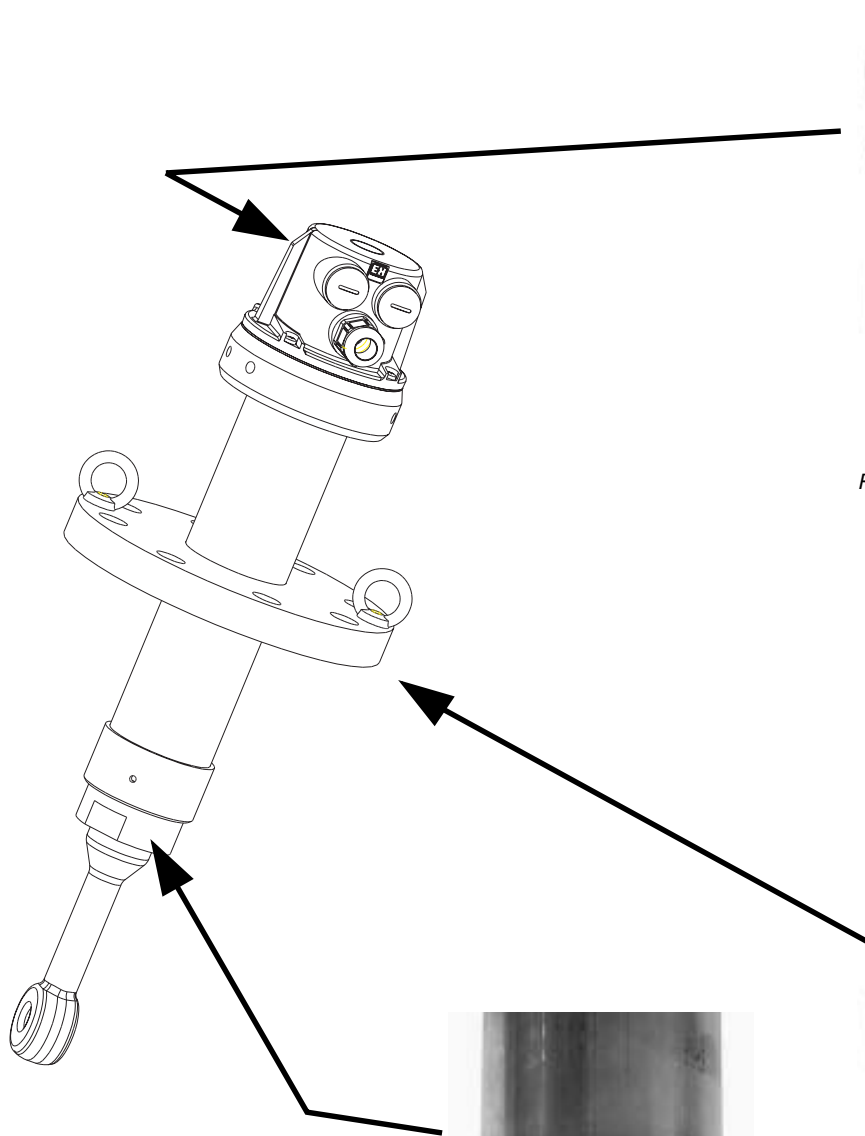
Areas of application

- Wastewater
- Paper industry
- Chemical industry
- Process industry

Benefits at a glance

- Simple installation and removal of the measuring sensor holder due to bayonet lock
- Safe sealing even in media containing solids
- Suitable for use at high pressures and temperatures, up to 145 psi (10 bar) and 302°F (150°C)
- Immersion depth from 1.5 feet to 7.5 feet (500 to 2500 mm)
- Reduced condensation due to an active-breathing Goretex® filter
- Flexible process connections with various flange types (ANSI, DIN, JIS)

Stainless steel version



Rear view with nameplate and Goretex® filter



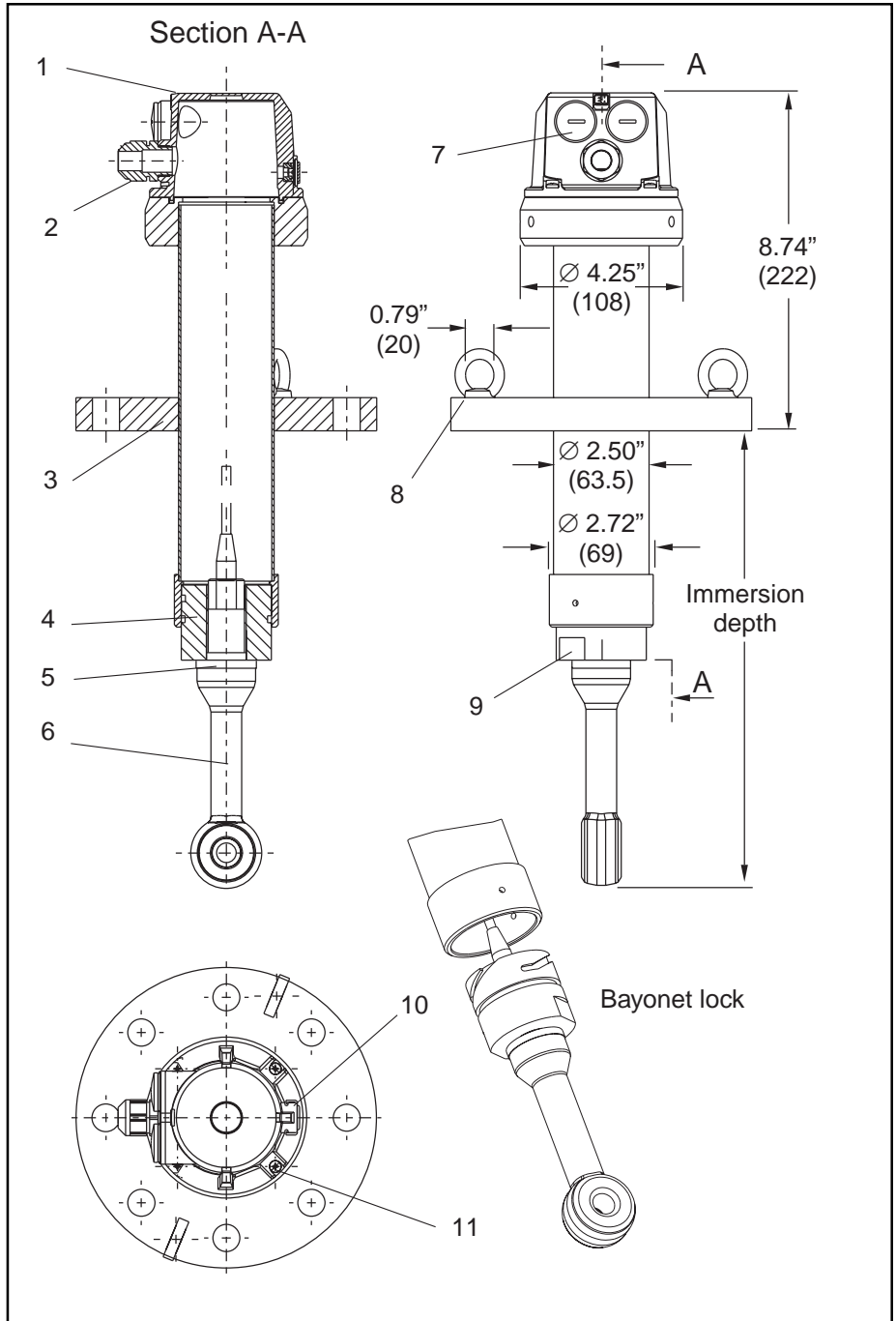
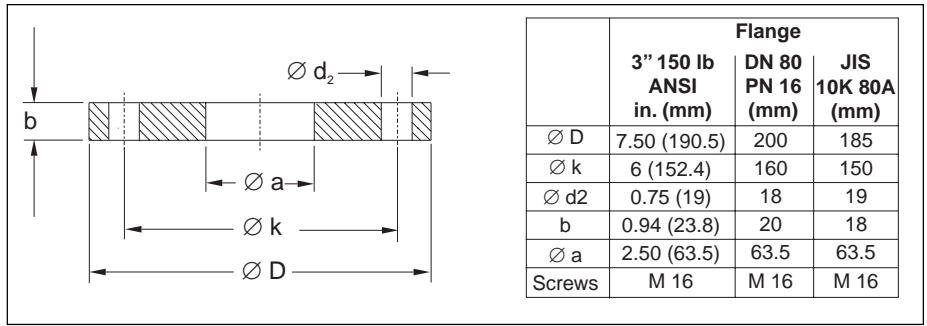
Upper part of assembly; view of flange and holder head with Pg 13.5 cable gland and Pg 16 plugs



Measuring sensor holder with bayonet lock

Stainless steel version dimensions and mounting details

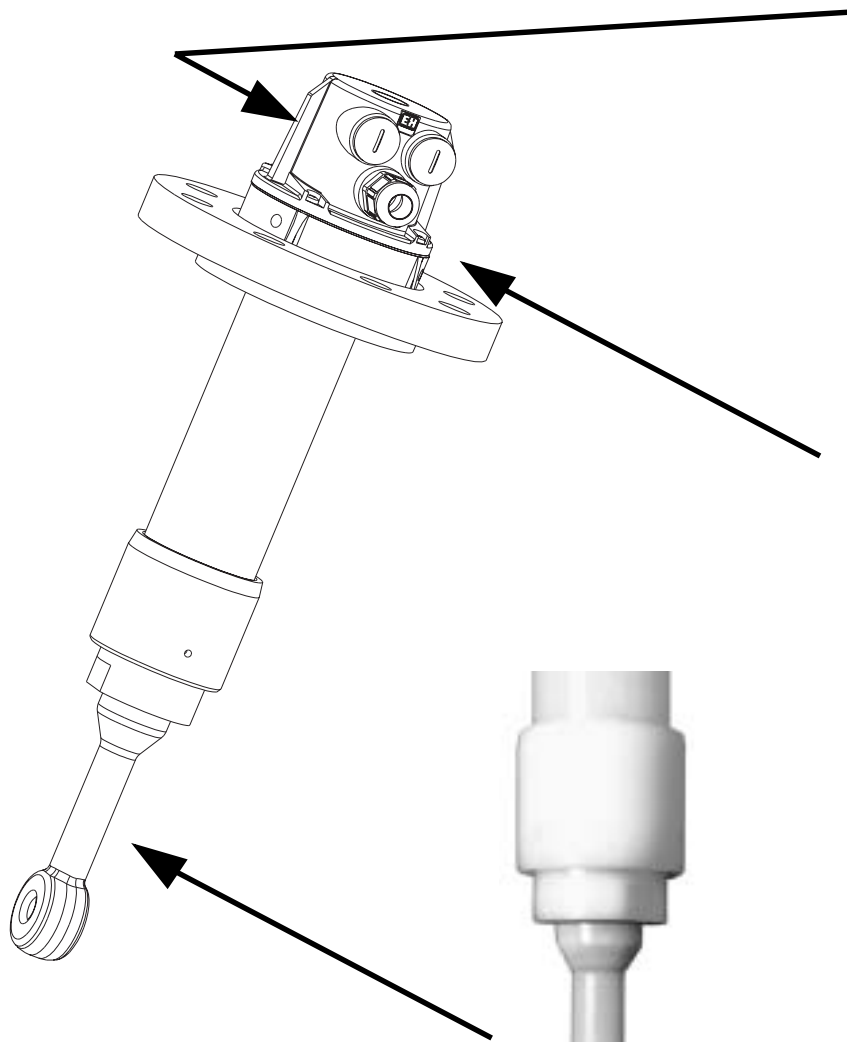
Fixed flange dimensions



CLA 140 SS dimensions

- 1 Holder assembly head
- 2 1/2" NPT cable entry or Pg 13.5 cable gland
- 3 Fixed flange
- 4 Measuring sensor holder
- 5 Flat gasket (supplied with measuring sensor)
- 6 CLS 50 measuring sensor
- 7 Pg 16 plug
- 8 Threaded lift eyes
- 9 Flats for 55 mm wrench
- 10 Goretex® filter
- 11 M4 screw

PVDF version



Rear view of assembly head with Goretex® filter cover



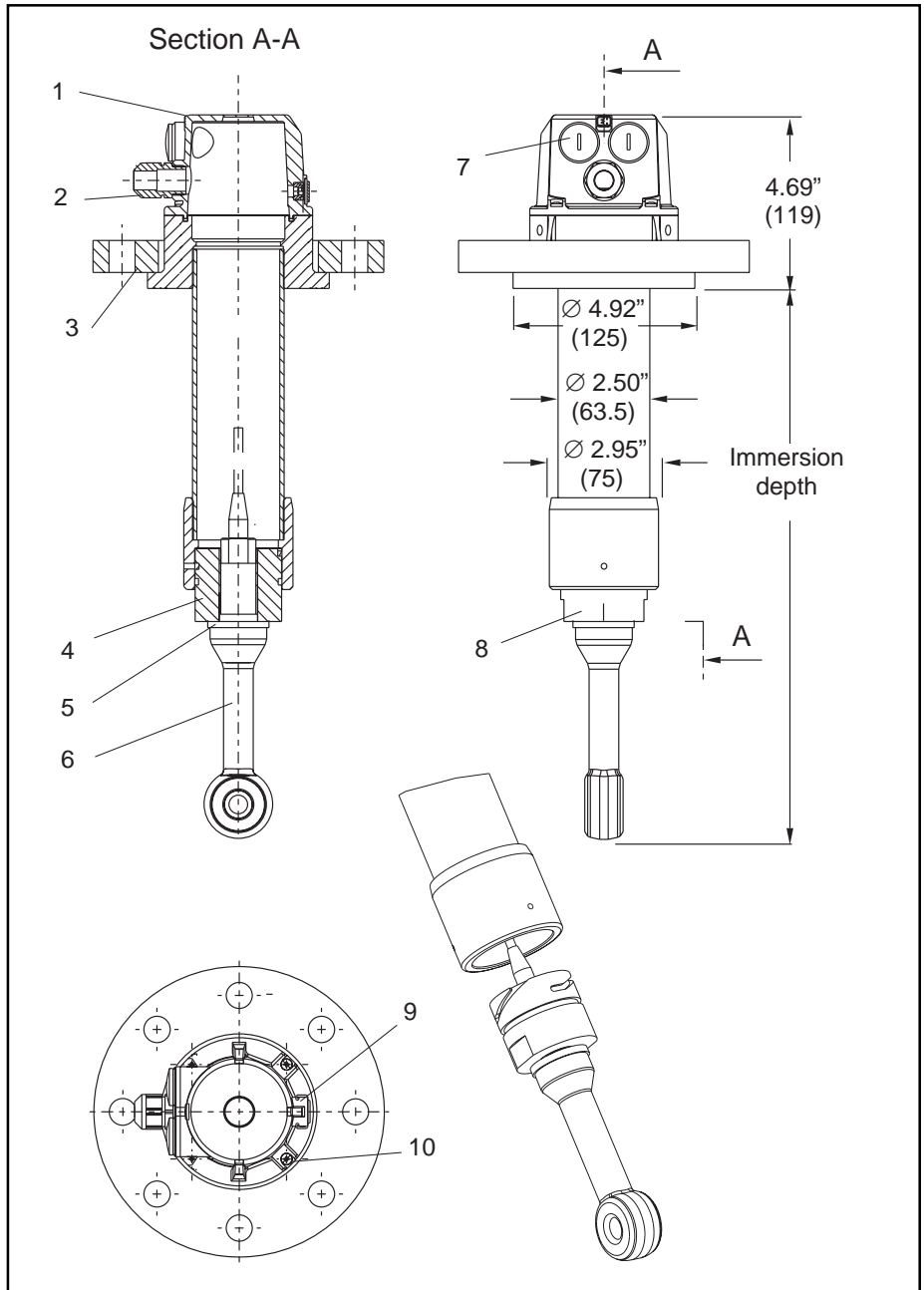
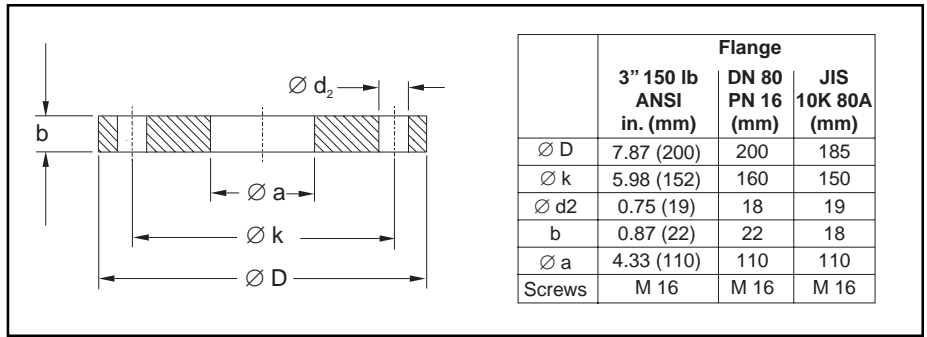
Upper part of holder assembly, view of flange and assembly head with Pg 13.5 cable gland and Pg 16 plugs



View of measuring sensor holder, with CLS 50 measuring sensor built in

PVDF version dimensions and mounting details

Loose flange dimensions



Technical data

Installation

Immersion depth	1.5 ft to 7.5 ft (500 to 2500 mm)
Measuring sensor mounting	1 mounting position, G 3/4 thread
Installation diameter required	3" (DN 80)
Cable entry	1/2" NPT or Pg 13.5 plus 2 Pg 16 plugs
Protection type	NEMA 4 (IP 65)

Mounting

A	Without flange
B	DN 80 PN 16 flange
D	3" Class 150 ANSI flange
E	10K 80A JIS flange

Weight

PVDF	1.5 ft / 7.5 ft, approximately 5.5 lbs / 6.6 lbs
316 SS	1.5 ft / 7.5 ft, approximately 17.6 lbs / 26.4 lbs

Wetted materials

Immersion tube	PVDF / 316L SS
O-rings	EPDM / Viton / Chemraz / Fluoraz
Measuring sensor holder	PVDF / 316L SS

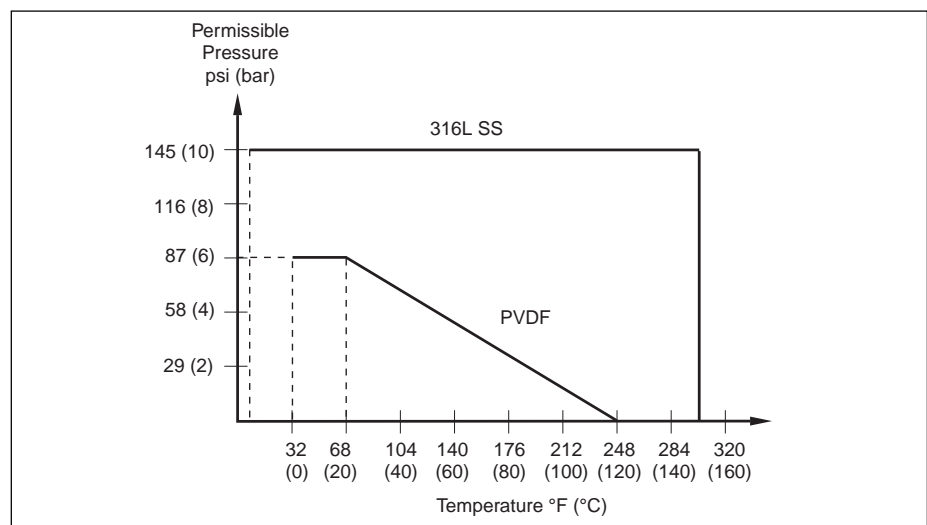
Non-wetted materials

Protection cap	PP-GF 20
Loose flange	UP-GF (PVDF version)
Threaded lift eyes	304 SS

Operating data

Operating pressure	PVDF version, max. 87 psi (6 bar) at 68°F (20°C) 316L SS version, max. 145 psi (10 bar)
Operating temperature	PVDF version, 32° to 248°F (0° to 120°C) 316L SS version, 5° to 302°F (-15 to +150°C), with EPDM seal, 284°F (140°C)

Pressure / temperature diagram



NOTE:

The operating limits of the complete system are determined by the limits of individual components (holder assembly, measuring sensor, measuring cable, accessories, etc.)

Accessories

Replacement O-ring seals

- EPDM Part number: 51500064
- Viton Part number: 51500065
- Chemraz Part number: 51500066
- Fluoraz Part number: 51500067

CLK 5 extension cable (CLS 50 sensor)

NOTE: Maximum cable length between sensor and transmitter when using the extension cable and junction box is 180 ft (55 m).

Part number: 50085473

VBM junction box

Junction box for extension of measuring cable between sensor and transmitter, NEMA 4 (IP 65), 10 screw terminals. Cast aluminum box, L 5" x W 3" x H 1.4" (125 x 80 x 35 mm).

1/2" NPT entry Part number: 50003987

Pg 13.5 entry, for Ex applications (Zone 1)

Part number: 50003991

Ordering information

DipFit P CLA 140

CLA 140 -

1	2	3	4	5	6

- 1 Assembly material
 - 2 PVDF
 - 3 316L SS
- 2 Sensor holder
 - A G 3/4 internal thread for CLS 50
- 3 Immersion length (distance from bottom of mounting connection to bottom of sensor)
 - 1 1.5 ft (500 mm), including sensor
 - 2 3 ft (1000 mm), including sensor
 - 3 4.5 ft (1500 mm), including sensor
 - 4 6 ft (2000 mm), including sensor
 - 5 7.5 ft (2500 mm), including sensor
- 4 Process connection
 - A Without flange
 - B DN 80 PN 16 flange
 - D 3" 150 lb ANSI flange
 - E JIS 10K 80A flange
- 5 Sealing material
 - 1 EPDM
 - 2 Viton
 - 3 Chemraz
 - 4 Fluoraz
- 6 Equipment
 - 10 Pg 13.5 cable entry
 - 11 1/2" NPT cable entry
 - 20 Pg 13.5 cable entry, desiliconized assembly
 - 21 1/2" NPT cable entry, desiliconized assembly
 - 30 Pg 13.5 cable entry, 3.1.B certificate according to EN 10204
 - 31 1/2" NPT cable entry, 3.1.B certificate according to EN 10204

For application and selection assistance,
in the U.S. call 888-ENDRESS

For total support of your installed base, 24 hours
a day, in the U.S. call 800-642-8737

Visit us on our web site, www.us.endress.com

United States

Endress+Hauser, Inc.
2350 Endress Place
Greenwood, IN 46143
Phone: (317) 535-7138
888-ENDRESS
FAX: (317) 535-8498

Canada

Endress+Hauser
Canada Ltd.
1440 Graham's Lane
Unit 1, Burlington
ON, L7S 1W3
Phone: (905) 681-9292
800-668-3199
FAX: (905) 681-9444

Mexico

Endress+Hauser
Paseo del Pedregal No. 610
Col. Jardines del Pedregal
01900, Mexico D.F.
Mexico
Phone: (525) 568-2405
FAX: (525) 568-7459

Endress+Hauser
The Power of Know How

